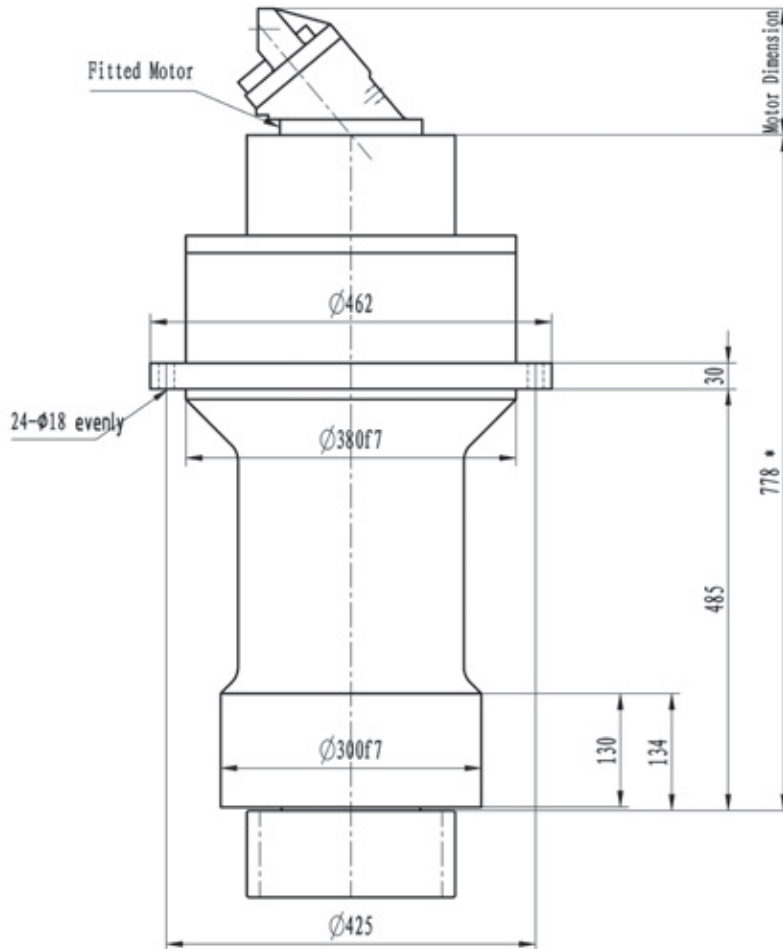


Dimension



Technical Data

Output Torque T _{max} Nm	Ratio i	Hydraulic motor	Braking torque T _{Br max.} Nm
48500	88.4	A2FE45	400-750
	95.8	A2FE56	
	129.2	A2FE63	
	151.6	A2FE80	
	172.8	A2FE90	
	194.5	A2FE107 A2FE125	

· Gearbox input direction is same to the output direction.

· Allowed output speed(not indicated in catalog) is subject to variation with actual application.