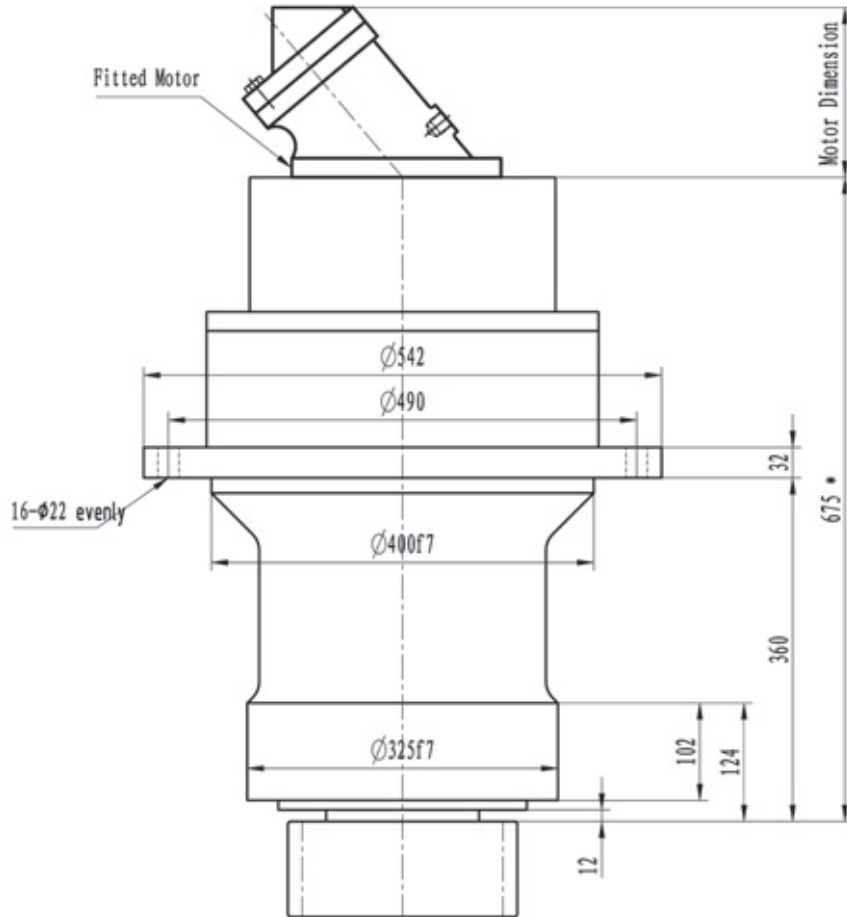


Dimension



Technical Data

Output Torque $T_{max}$ Nm	Ratio $i$	Hydraulic motor	Braking torque $T_{Br max}$ Nm
48500	34.0	A2FE80	400-850
	23.37	A2FE90	
	40.4	A2FE107	
		A2FE125	
		A2FE160	
		A2FE180	

· Gearbox input direction is same to the output direction.

· Allowed output speed(not indicated in catalag) is subject to variation with actual application.