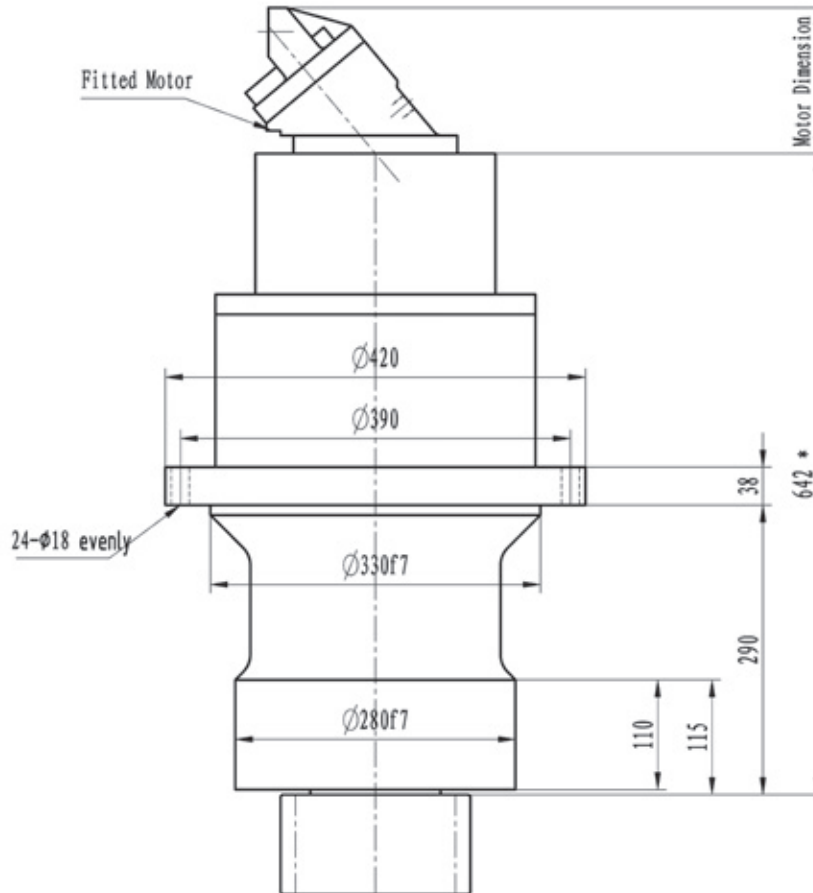


Dimension



Technical Data

Output Torque T_{max} Nm	Ratio i	Hydraulic motor	Braking torque $T_{br. max.}$ Nm
38000	85.2	A2FE45	400-710
	92.1	A2FE56	
	100.7	A2FE63	
	111.9	A2FE80	
	126.7	A2FE90	
	147.4	A2FE107	
		A2FE125	

· Gearbox input direction is same to the output direction.

· Allowed output speed(not indicated in catalog) is subject to variation with actual application.