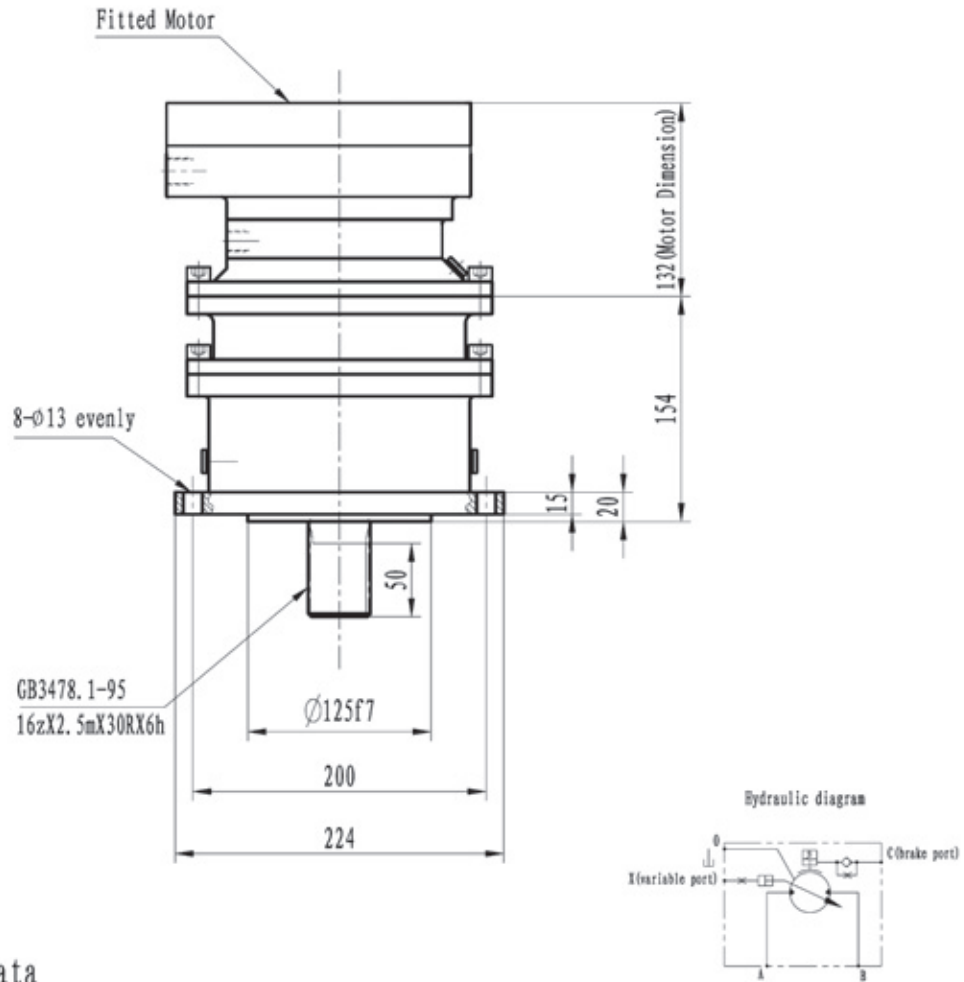


Dimension



Technical Data

Output Torque $T_{max}$ Nm	Ratio $i$	Hydraulic motor		Braking torque $T_{br. max.}$ Nm
		type	displ. (ml/rev)	
1500	17.33	IPM6-29.5	29.5	100-125
	20	IPM6-41/26	41/26	

· Gearbox input direction is same to the output direction.

· Allowed output speed(not indicated in catalog) is subject to variation with actual application.