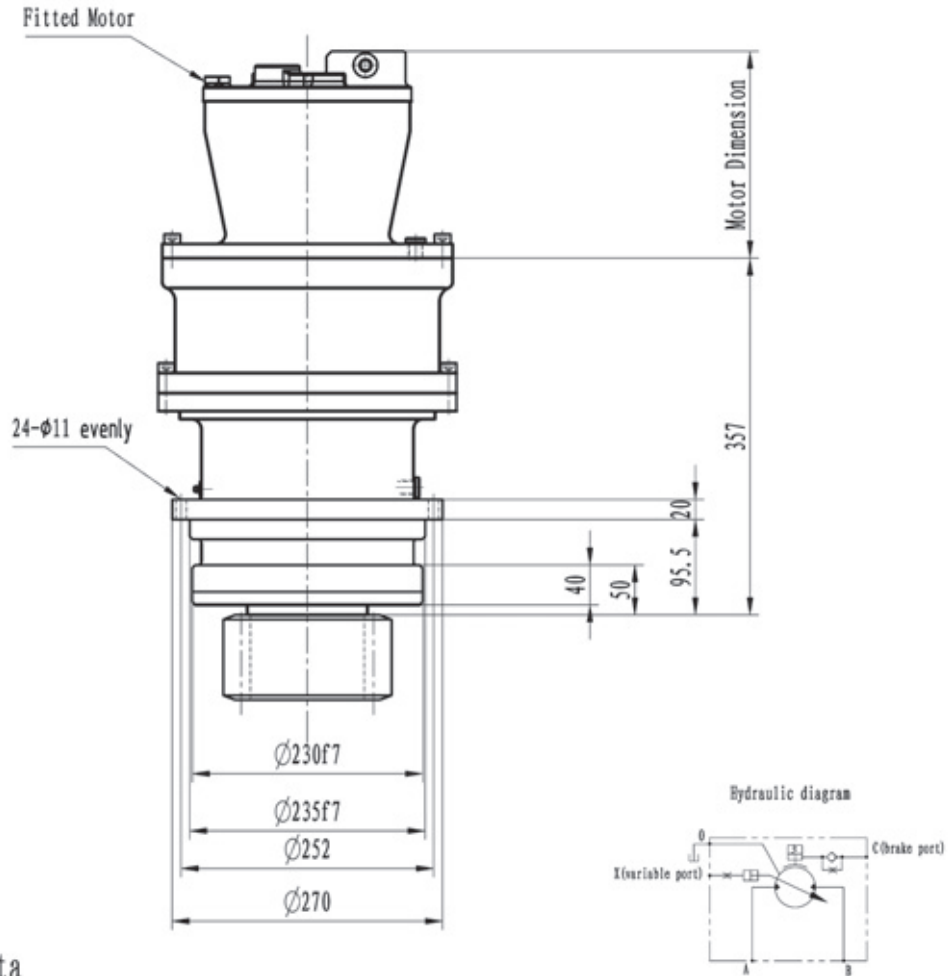


Dimension



Technical Data

Output Torque T_{max} Nm	Ratio i	Hydraulic motor		Braking torque $T_{br. max.}$ Nm
		type	displ. (ml/rev)	
12700	34.5	IPM8-53/27	53/27	400-710
	41.13	IPM8-53/18.3	53/18.3	
	51.75	IPM15-86/43	86/43	

· Gearbox input direction is same to the output direction.

· Allowed output speed(not indicated in catalog) is subject to variation with actual application.