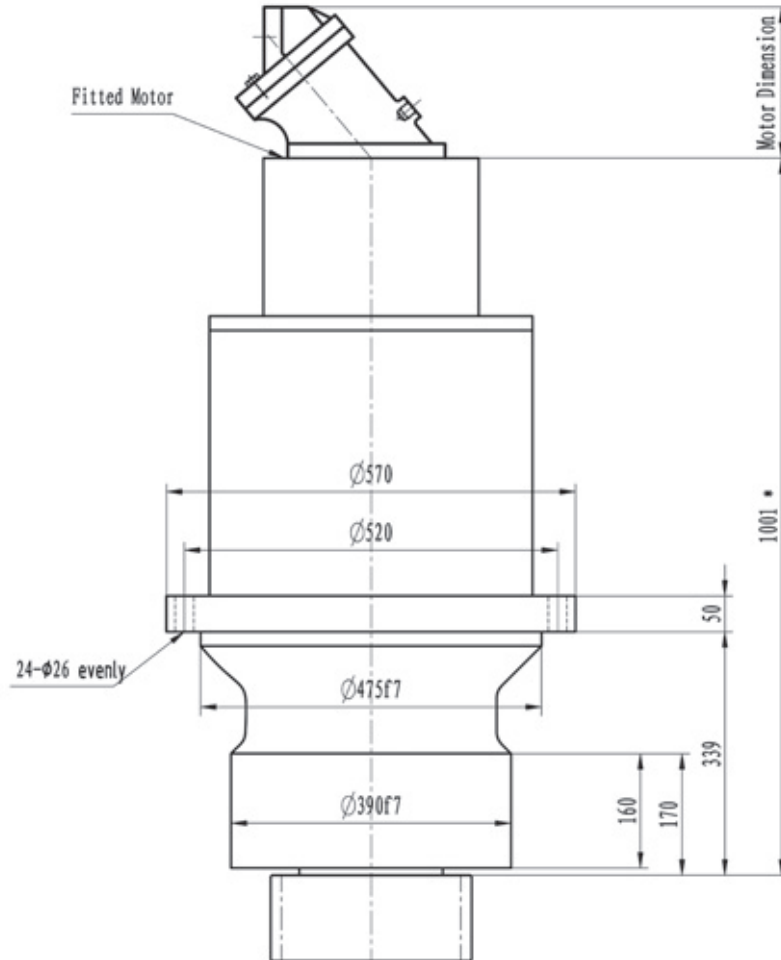


Dimension



Technical Data

Output Torque T <sub>max</sub> Nm	Ratio i	Hydraulic motor	Braking torque T <sub>B</sub> max. Nm
93300	80.5 129.6 88.6 148.2 96.8 174.9	A2FM107	400-1000
		A2FM125	
		A2FM160	
		A2FM180	
		A2FM200	
A2FM250	A2FE107		
		A2FE125	

- Gearbox input direction is same to the output direction.
- Allowed output speed(not indicated in catalog) is subject to variation with actual application.